

ATELIER ARETI

PRODUCT

Epic variations 353
Pendant light

MATERIALS AND COLOUR OPTIONS

Brushed brass; white glass

VERSIONS

Brushed brass structure 353OL-P01-BR01

TECHNICAL DETAILS

Globes Ø90: 4 x G9 LED 5 W max

Globe Ø200: 1 x E27 LED 10 W max (US: E26)

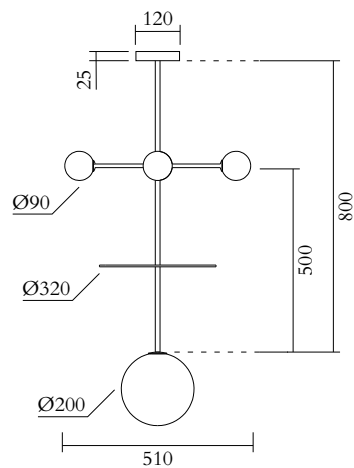
110-230V

IP20

Light bulbs not included

MADE IN

Germany



Sizes in mm. Flat attachments available under request. Variations in colour and size are available for some collections, please contact Areti for more details.

Our collections are hand made and made to order, small irregularities in shape or surface will occur, they are inherent to the hand made process and should not be seen as flaws. For detailed information on any products: contact@atelierareti.com

ATELIER ARETI

PRODUCT

Epic variations 353
Pendant light

MATERIALS AND COLOUR OPTIONS

Brushed brass; white glass

VERSIONS

Brushed brass structure 353OL-P02-BR01

TECHNICAL DETAILS

Globes Ø90: 4 x G9 LED 5 W max

Globe Ø200: 1 x E27 LED 10 W max (US: E26)

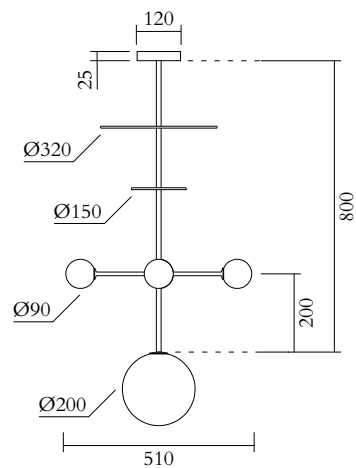
110-230V

IP20

Light bulbs not included

MADE IN

Germany



Sizes in mm. Flat attachments available under request. Variations in colour and size are available for some collections, please contact Areti for more details.

Our collections are hand made and made to order, small irregularities in shape or surface will occur, they are inherent to the hand made process and should not be seen as flaws. For detailed information on any products: contact@atelierareti.com

ATELIER ARETI

PRODUCT

Epic variations 353
Pendant light

MATERIALS AND COLOUR OPTIONS

Brushed brass; white glass

VERSIONS

Brushed brass structure 353OL-P03-BR01

TECHNICAL DETAILS

Globes Ø90: 4 x G9 LED 5 W max

Globe Ø200: 1 x E27 LED 10 W max (US: E26)

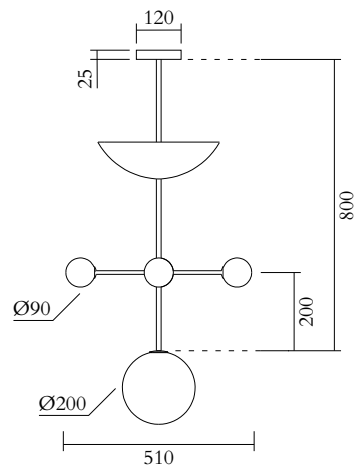
110-230V

IP20

Light bulbs not included

MADE IN

Germany



Sizes in mm. Flat attachments available under request. Variations in colour and size are available for some collections, please contact Areti for more details.

Our collections are hand made and made to order, small irregularities in shape or surface will occur, they are inherent to the hand made process and should not be seen as flaws. For detailed information on any products: contact@atelierareti.com

ATELIER ARETI

PRODUCT

Epic variations 353
Pendant light

MATERIALS AND COLOUR OPTIONS

Brushed brass; white glass

VERSIONS

Brushed brass structure 353OL-P04-BR01

TECHNICAL DETAILS

Globes Ø90: 6 x G9 LED 5 W max

Globe Ø200: 1 x E27 LED 10 W max (US: E26)

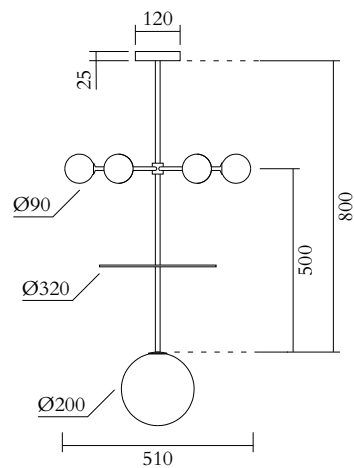
110-230V

IP20

Light bulbs not included

MADE IN

Germany



Sizes in mm. Flat attachments available under request. Variations in colour and size are available for some collections, please contact Areti for more details.

Our collections are hand made and made to order, small irregularities in shape or surface will occur, they are inherent to the hand made process and should not be seen as flaws. For detailed information on any products: contact@atelierareti.com

ATELIER ARETI

PRODUCT

Epic variations 353
Pendant light

MATERIALS AND COLOUR OPTIONS

Brushed brass; white glass

VERSIONS

Brushed brass structure 353OL-P05-BR01

TECHNICAL DETAILS

Globes $\varnothing 90$: 8 x G9 LED 5 W max

Globe $\varnothing 200$: 1 x E27 LED 10 W max (US: E26)

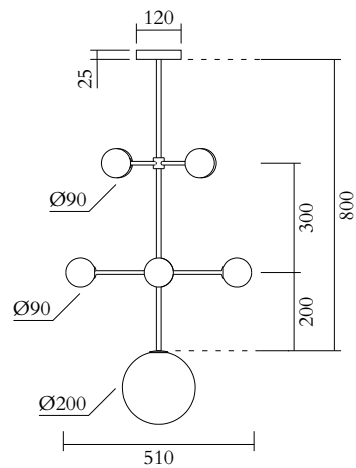
110-230V

IP20

Light bulbs not included

MADE IN

Germany



Sizes in mm. Flat attachments available under request. Variations in colour and size are available for some collections, please contact Areti for more details.

Our collections are hand made and made to order, small irregularities in shape or surface will occur, they are inherent to the hand made process and should not be seen as flaws. For detailed information on any products: contact@atelierareti.com

ATELIER ARETI

PRODUCT

Epic variations 353
Pendant light

MATERIALS AND COLOUR OPTIONS

Brushed brass; white glass; white acrylic tubes

VERSIONS

Brushed brass structure 353OL-P06-BR01

TECHNICAL DETAILS

Globe Ø200: 1 x E27 LED 10 W max (US: E26)

Built in LED tubes

Input voltage EU: 230V

Input voltage US: 110V

Output voltage: 24V

2700K

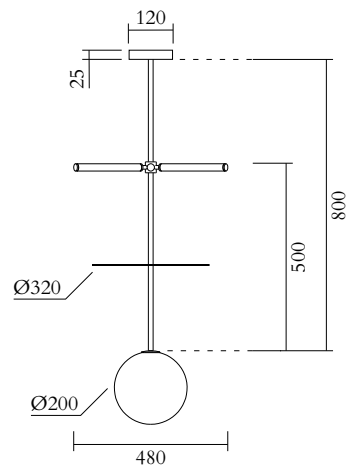
IP20

NOTE

Built in LED light source can be changed by Atelier Areti or a qualified workshop only

MADE IN

Germany



Sizes in mm. Flat attachments available under request. Variations in colour and size are available for some collections, please contact Areti for more details.

Our collections are hand made and made to order, small irregularities in shape or surface will occur, they are inherent to the hand made process and should not be seen as flaws. For detailed information on any products: contact@atelierareti.com