

ATELIER ARETI

PRODUCT

Scale 457
Pendant light / Spheres

MATERIALS AND COLOUR OPTIONS

Brushed brass; powder coated metal; white glass

VERSIONS

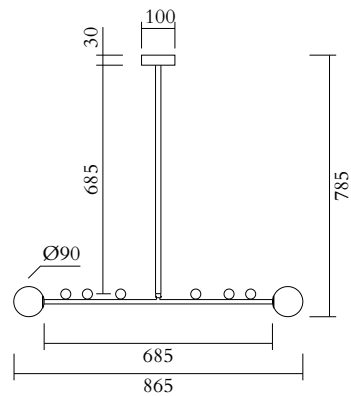
Brushed brass structure; black + white metal spheres
457OL-P01-BR01

TECHNICAL DETAILS

2 x G9 LED 5W max
110-230V
IP20
Light bulbs not included

MADE IN

Germany



Sizes in mm. Flat attachments available under request. Variations in colour and size are available for some collections, please contact Areti for more details.

Our collections are hand made and made to order, small irregularities in shape or surface will occur, they are inherent to the hand made process and should not be seen as flaws. For detailed information on any products: contact@atelierareti.com

ATELIER ARETI

PRODUCT

Scale 457
Pendant light / 1 animal

MATERIALS AND COLOUR OPTIONS

Brushed brass; white glass

VERSIONS

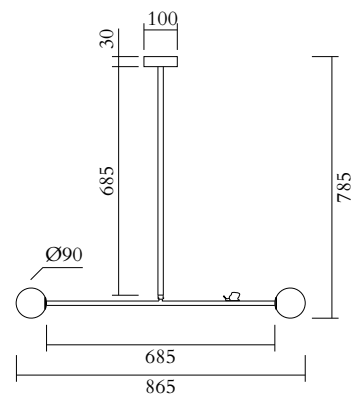
Brushed brass structure 457OL-P02-BR01

TECHNICAL DETAILS

2 x G9 LED 5W max
110-230V
IP20
Light bulbs not included

MADE IN

Germany



Sizes in mm. Flat attachments available under request. Variations in colour and size are available for some collections, please contact Areti for more details.

Our collections are hand made and made to order, small irregularities in shape or surface will occur, they are inherent to the hand made process and should not be seen as flaws. For detailed information on any products: contact@atelierareti.com

ATELIER ARETI

PRODUCT

Scale 457
Pendant light / 3 animals

MATERIALS AND COLOUR OPTIONS

Brushed brass; white glass

VERSIONS

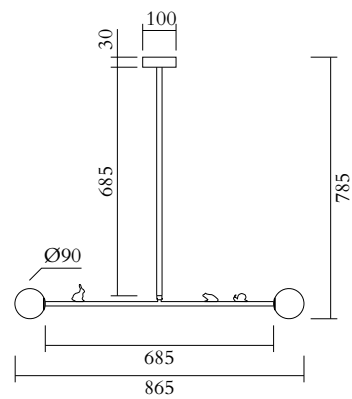
Brushed brass structure 457OL-P03-BR01

TECHNICAL DETAILS

2 x G9 LED 5W max
110-230V
IP20
Light bulbs not included

MADE IN

Germany



Sizes in mm. Flat attachments available under request. Variations in colour and size are available for some collections, please contact Areti for more details.

Our collections are hand made and made to order, small irregularities in shape or surface will occur, they are inherent to the hand made process and should not be seen as flaws. For detailed information on any products: contact@atelierareti.com